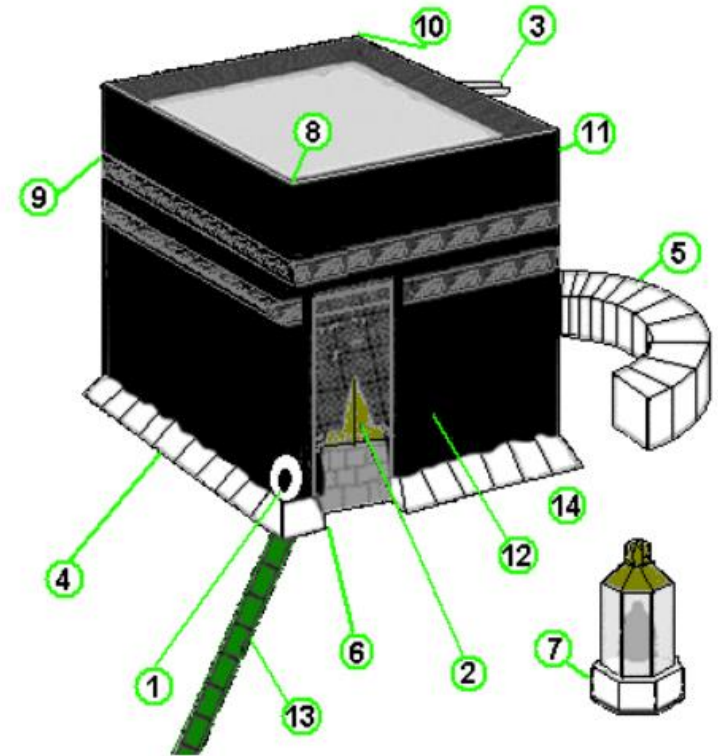


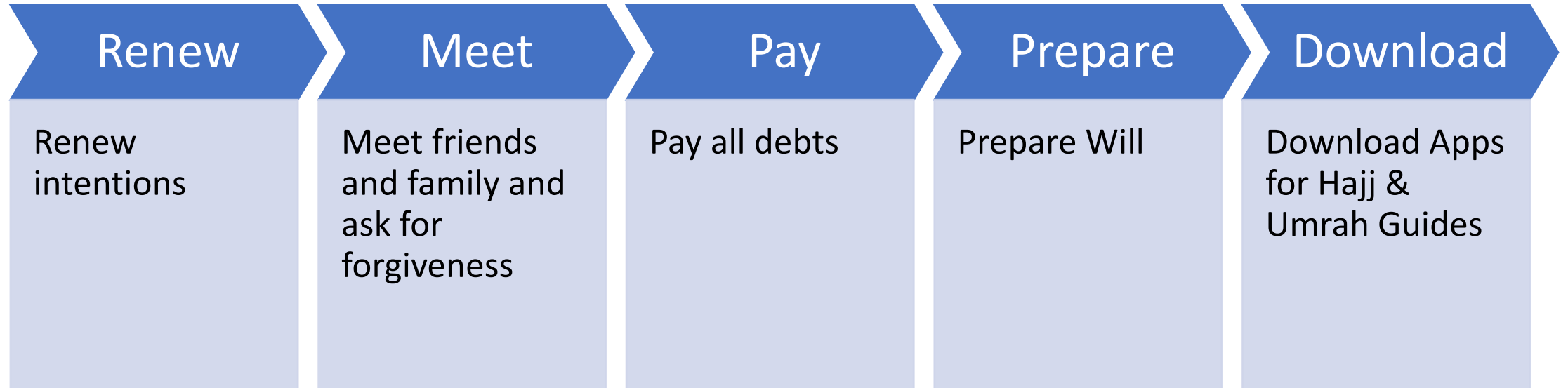
Hajj Step by Step

1. The Ḥajar al-Aswad
2. Bāb ar-Raḥmah
3. Mīzāb ar-Raḥma
4. Shadherwaan
5. Hijr Ismail
6. Al-Multazam
7. Maqam Ibrahim
8. The corner of the Black Stone
9. Rukn-e-Yemeni
10. Rukn ush-Shami
11. Rukn al-'Iraqi
12. Kiswah
13. Marble stripe marking the beginning and end of each circumambulation

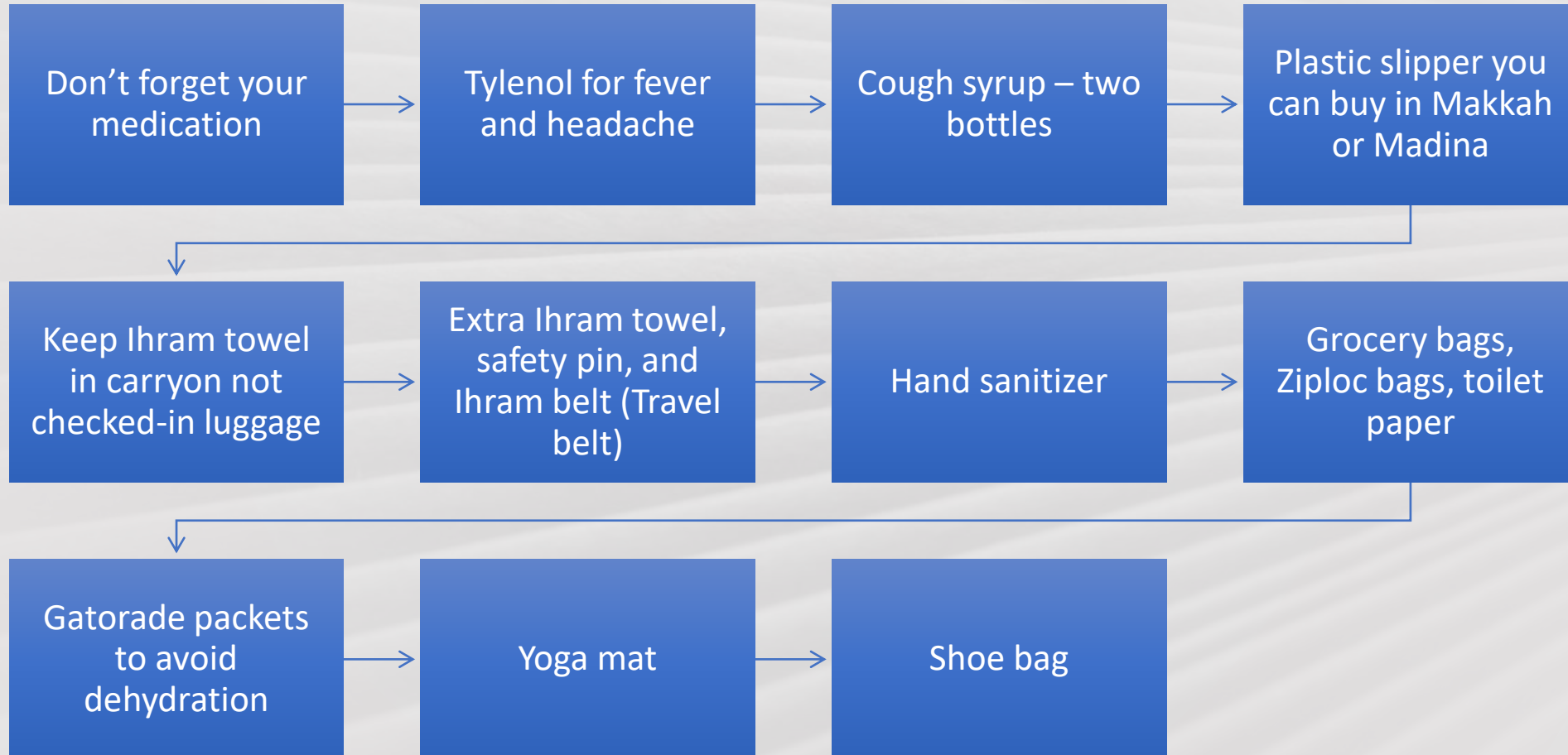


Ref: <https://en.wikipedia.org/wiki/Kaaba>

Before you go



Preparation Tips



Ihram
Meeqat
Talbiyah

Ihram

The sunnah's
of entering
Ihram at the
meeqat

- Bathe yourself (men and women)
- Trim your moustache, armpit, pubic hair, and nails
- Apply perfume
- Wear the Ihram towels

Meeqat

1. At that point YOU MUST make intention for ihram, say **labayk Allahuma bi Umra** (if missed then sacrifice required)
2. If doing this on behalf of someone else, then say "**labayka a'an (name of person)**"
3. Pray 2 rakaats
4. What about women on their menses: they do everything including ihram but do not pray or do tawaf.

NOW YOU ARE IN THE STATE OF IHRAM!

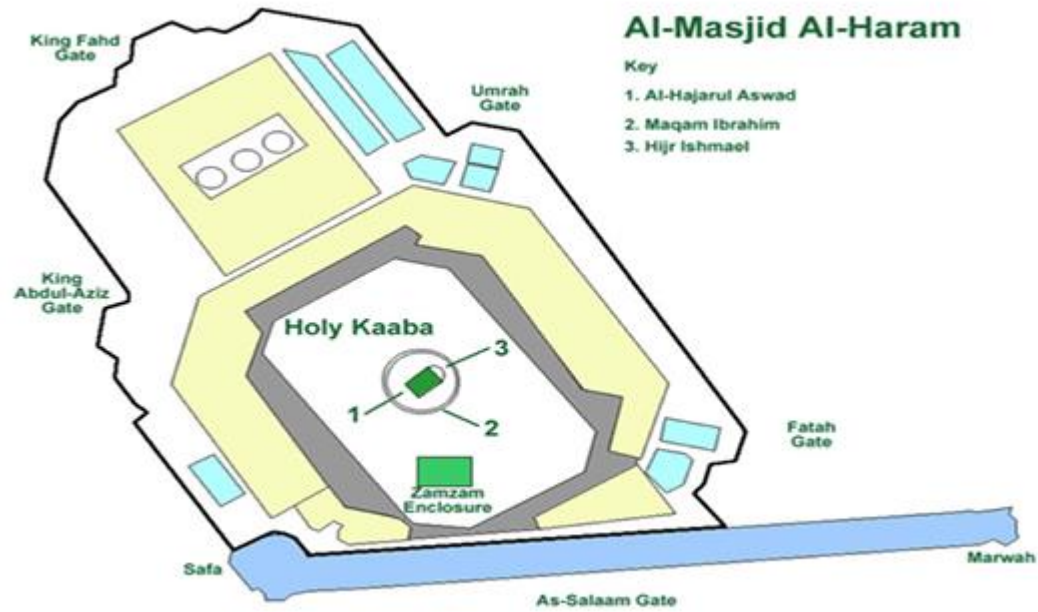


Talbiyah (Chant)

Continue reciting Talbiya as much as possible individually until you reach the Haram without waiting for a guide to do so. Men should recite in a loud voice and women in a low voice

Arabic	English Translation
Labayk Allahuma labayk, labayka la shareeka laka labayk. Innal hamda wan ni'mata, laka wal mulk, la shareekalak.	Here I am O Allah here I am, Here I am You have no partner here I am. Verily all praise and blessings are Yours, and all sovereignty, You have no partner.

Performing Umrah



Tawaaf Al Qudoom (The First Tawaaf)

1. Wudu is required for tawaf
2. Expose your right shoulder throughout all 7 circuits. The 7 circuits should not be interrupted
3. Enter into Haram through any gate, and look for the **GREEN LIGHT** to start
4. Enter with your **RIGHT FOOT**
5. **Recite:**
"Bismillaah wa'l-salaatu wa'l-salaam 'ala Rasool-Allaah. Allaahumma ighfir li dhunoobi waftah li abwab rahmatika. A'oodhu Billaah il-'Azeem wa bi wajhih il-kareem wa bi sultaanih il-'qadeem min al-Shaytaan il-rajeem."
Translation:
In the name of Allaah, and blessings and peace be upon the Messenger of Allaah. O Allaah, forgive me my sins and open to me the gates of Your mercy. I seek refuge with Allaah the Almighty and in His noble Countenance and His eternal power from the accursed Satan
6. Tawaaf replaces the 2 rakaats for entering Masjid
7. Align yourself with the black stone, face it and make Takbeer "Allah Akbar" with your right hand.
8. Go Around anti-clockwise, each time between Yemen Corner and Blackstone say:
"rabbana atina fil dunya hasana, wa fil akhirati hasana, waqina athabal nar.
(Oh, Allah grant us good in this life, and good in the hereafter, and protect us from hell fire.)
9. The 3 circuits of the first tawaaf should be done faster paced but impractical to try to run
10. After the 7 circuit is completed go to Maqam Ibrahim. You can go as far as you want as long as you are somewhat aligned with it.
11. Cover your shoulder and recite:
"wat takhithoo min maqaamee ibraheema musalla"
(and take the station of Ibrahim as a place of prayer.)
12. Then pray 2 rakats reciting silently with **Suratul kafiroon** in the first rakaat and **suratul ikhlaas** in the second. If too crowded, you can pray these 2 rakaats anywhere in the haram.
13. Then Proceed to drink Zam Zam water and take a break if you want before Sa'i

SA'I

1. If possible, go to the second or third floor, it is much easier
2. When you approach al-safa you should recite:

إِنَّ الصَّفَا وَالْمَرْوَةَ مِنْ شَعَائِرِ اللَّهِ فَمَنْ حَجَّ الْبَيْتَ أَوْ
اعْتَمَرَ فَلَا جُنَاحَ عَلَيْهِ أَنْ يَطَّوَّفَ بِهِمَا ۚ وَمَنْ
تَطَوَّعَ خَيْرًا ۖ فَإِنْ اللَّهُ
شَاكِرٌ عَلِيمٌ

158. Inna al ssafa wa al marwata min shaAAairi Allahi faman hajja albayta awi iAAtamara fala junaha AAalayhi an yattawwafa bihima waman tatawwaAAa khayran fainna Allaha shakirun AAaleemun

158. Hakika vilima vya Safaa na Marwa ni katika alama za Mwenyezi Mungu. Basi anaye hiji kwenye Nyumba hiyo au akafanya Umra, si kosa kwake kuvizunguka. Na anaye jitendea mwenyewe kheri basi bila ya shaka Mwenyezi Mungu ni Mwenye shukrani na Mjuzi.

Then say:
"abda'u bima bada'a Allaah bihi (We start with that with which Allaah started)."

Safa
(start)



Al Marwa
(Exit)

3. Then climb al-Safa until you can see the Ka'bah, then face it and raise your hands as in dua not salat and praise Allaah, and make du'aa' as you wish. The Prophet (peace and blessings of Allaah be upon him) used to say:

"Laa ilaaha ill-Allaah wahdahu laa shareeka lah , lahu'l-mulk, wa lahu'l-hamd, wa huwa'ala kulli shay'in qadeer. Laa ilaaha ill-Allaah wahdah, anjaza wa'dah, wa nasara 'abdah, wa hazamaa al-ahzaab awahdah

(There is no god but Allaah alone, with no partner or associate; He is the Dominion, all praise is due to Him, and He is able to do all things. There is no god but Allaah alone; he fulfilled His promise, granted victory to His slave, and defeated the confederates alone)." Narrated by Muslim, 1218.

4. Repeat from Laa ilaha ilAllah onwards every time you reach Marwa and safa afterwards. Repeat that three times, and make your own du'aa in between but not after the third time.
5. Proceed to walk towards al Marwa and rush between the 3 green markers without disturbing anyone.
6. Finish 7 circuits (one way) ending at al Marwa where the exit is. DON'T DO 14

Performing Hajj



8th Day of Dhul-Hijjah: Leave for Mina

1. Repeat all of the sunnah you did for Ihram in Umrah and declare your intention for Hajj
2. Say: Labayk Allahuma bi Hajjin
3. **Leave for Mina**
4. When you reach Mina, you will pray all prayers shortened but not joined.
5. Get a good night's sleep. Think of the duas you want to make in Arafat as this is a once-in-a-lifetime opportunity.

Note: Bathrooms are terrible for the rest of Hajj. Take something to hold your stomach.

Note: memorize your Tent number in Mina!

9th Day of Dhul-Hijjah (Mina – Arafat-Muzdallifa)

1. Depart Mina for Arafat, getting there hopefully before Dhuhur.
2. Pray Dhuhur and Asr combined and shortened
3. Stay close to your tent
4. Listen to Khutba and Arafat and do not talk during it.
5. The prophet (saw) said: The best thing I and the prophets have said on the eve of Arafat is:

la ilaha ilAllah wahdahu la shareeka lah ,lahul mulku wa lahul hamd, wa huwa ala kulle shayin qadeer
6. **Leave for Muzdallifah.**
7. If you can walk then do so
8. Make Takbeer, tahleel, and Thikr
9. Pray both maghrib and isha in Muzdaliffa joined and combined
10. Collect at least 80 stones for Jamarat small hummus sized pebbles. Yu could collect these also at Mina.

10th Day of Dhul Hijjah (EID)

1. **Still at Muzdalifa:** Pray Fajr at the beginning of its time
2. It is permissible for the women, elderly, and sick to leave before Fajr (aftermidnight) to avoid the crowd.If the group decides to do this, then you should follow.
3. **Depart to Mina** to stone Jamratul Aqaba with 7 stones.
4. Say: **“Allahu Akbar with each stone”**.
5. Try to walk around the crowds and not stand directly in front of the Jamra.
6. Stoning can be done any time after sunrise, preferably before noon
7. Animal will be sacrificed by the authorities as your coupon states.

11th -13th Dhul-Hijja (Tashreek)

1. This entire time will be in Mina. Half of the night must be spent in Mina.
2. Everyday you will stone the 3 jamarat each with 7 stones.
3. The time of stoning is after dhuhur (diff. of opinion on ending).
4. It is not sunnah to go to Makkah during this time and most people get bored so use time wisely.
5. The sick can have others throw on their behalf
6. On **13th Dhul-Hijja depart to Makkah** to perform Tawaf Al-Ifadha

14th Dhul-Hijjah (Tawaf Al-Ifadha)

The man and the woman must observe this. It is the same way as the first Tawaaf but without uncovering the shoulder or running in the first 3 circuits. If you did tamattu then you should also do Sa'i.

17th Dhul-Hijjah -Tawaf Al-Wida (Farewell)

1. It should be the last thing you do in Makkah
2. There is no Sa'i this time
3. Trip to Madinah

18th-22nd Dhul-Hijjah: Madinah

1. Make the intention to pray in the Masjid of the Prophet (S.A.W)
2. Prophet (S.A.W) said: "**Between my house and my minbar is a Rawdah garden of Jannah.**"
3. Try to catch the janazas by praying on one of the left gates of the mosque and rushing to the baqee graveyard after salaah.
4. Simply pass by the Prophets (saw) grave and say "asalaamu alaika ya rasul Allah." And then say salaam to Abu Bakr and Omar and move on. Do not make dua to Him (saw) but rather to Allah.
5. Authentic Hadeeth by Said Bin Mansoor: The Prophet (saw) said "Do not make my grave an Eid, and make Salat upon me wherever you are, and it will reach me." Therefore, we don't have to keep visiting the grave of the prophet (saw) for the sake of doing so or carry a list of people who told us to convey salaam.
6. To do Wudu in Madinah and go to Masjid Quba and offer 2 rakaats is sunnah and equals the reward of Umrah
7. Visiting site of Uhud is also sunnah.

Distributed Time for the Tawheed Group

18 DHUL-HIJA	6 JULAI 2023	ALHAMISI	MAPUMZIKO NA IBADA MBALIMBALI
19 DHUL-HIJA	7 JULAI 2023	JUMAA	DARSA/SEMINA/IBADA BINAFSI
20 DHUL-HIJA	8 JULAI 2023	JUMAMOSI	ZIARA MASJID NABAWI NA MAENEO JIRANI
21 DHUL-HIJA	9 JULAI 2023	JUMAPILI	ZIARA ZA NJE MAENEO MUHIMU YA KIHISTORIA
22 DHUL-HIJA	10 JULAI 2023	JUMATATU	DARSA/SEMINA/IBADA BINAFSI
23 DHUL-HIJA	11 JULAI 2023	JUMANNE	SAFARI YA KURUDI TANZANIA (MADINA- ZNZ/DAR)

May Allah accept all your intentions and prayers. We look forward to have your relative be blessed to perform Hijja and Umrah next time!